

2025

November

LINCOLN LOG

Lincoln Amateur Radio Club

LARC Meeting Wednesday, November 12th - 19:30 LARC Clubhouse | 4420 NW 41st St, Lincoln, NE

We have a treat for you in November! Michael Ruhrdanz, NØFER, has graciously agreed to give a presentation covering Band Pass Band Reject duplexers. This is a very needed piece of equipment when your repeater only has one antenna. However, Michael will show you the needs of building a repeater with and without a duplexer. I've heard several conversations and at least one of Paul's, KF9TV's, questions during the Lunch Bunch net on KØKKV/R regarding the "Q" and found this to be a great way to show you how to tune a set of duplexers. This will be a great one!
Ed, KØRPT

Calendar

November

- 06..Th.. 18:30VE Exams College View Church.....4801 Prescott Ave
- 12..We. 19:30LARC Meeting..... LARC Clubhouse.....4420 NW 41st St
- 13..Th.. 19:30SATERN Meeting..... Salvation Army.....2625 Potter St
- 15..Sa.. 18:30Game Night LARC Clubhouse.....4420 NW 41st St
- 23..Su.. 23:59LOG Deadline - Email articles & ads to log@k0kkv.org

December

- 01..Mo 18:30LOG folding LARC Clubhouse.....4420 NW 41st St
- 04..Th.. 18:30VE Exams College View Church.....4801 Prescott Ave
- 06..Sa.. 09:00QCWA Luncheon HY-Vee.....1601 N 84th St
- 10..We. 19:30LARC Meeting..... LARC Clubhouse.....4420 NW 41st St
- 11..Th.. 19:30SATERN Meeting..... Salvation Army.....2625 Potter St
- 13..Sa.. 18:30Game Night LARC Clubhouse.....4420 NW 41st St
- 20..Sa.. 18:00LARC Holiday Party SGEC 84th & Havelock
- 23..Su.. 23:59LOG Deadline - Email articles & ads to log@k0kkv.org



Club Repeater **KØKKV 146.760 (-)**

Twitter twitter.com/k0kkv

LARC Web Site www.k0kkv.org

Facebook www.facebook.com/LARCLincoln

2025 Board of Directors

Position	Name	Call	Phone	Email
President	Ed Holloway	KØRPT	402/326-1139	k0rpt@arrl.net
Vice President	Bryan Leavitt	WØBCL	402/310-1686	w0bcl@arrl.net
Treasurer	Alex Lewis	W3ALX	402/202-8830	alex.w3alx@gmail.com
Secretary	Aaron Rogge	NØADR	402/617-0234	n0adr@ajrogge.com
Member	Shaun Munson		402/853-6523	k0smm@arrl.net
Member	Fred Wiebelhaus	KØFJW	402-992-7653	fwiebelhaus@outlook.com
Member	Roark Pyle	WØLNE	402/318-1452	w0lne@arrl.net
Member	Kenneth Cohn	KCØHN	402/310-8526	kc0hn.ne@gmail.com
Club Station Trustee	Greg Brown	KTØK	402/937-3540	kt0k@arrl.net

2025 Committees

Committee	Liaison..	Chair	Phone	Email
Activities	KØRPT	Kathleen Rogge, KRØKAT	402/617-1466	kathleen@ajrogge.com
Awards	KØFJW	Ed Holloway, KØRPT	402/326-1139	k0rpt@arrl.net
Audit	W3ALX	Greg Brown, KTØK	402/937-3540	kt0k@arrl.net
Bylaws	NØADR	Alex Lewis, W3ALX	402/202-8830	alex.w3alx@gmail.com
Club Inventory	KØSMM	Fred Wiebelhaus, KØFJW	402-992-7653	fwiebelhaus@outlook.com
Club Station	KØRPT	Greg Brown, KTØK	402/937-3540	kt0k@arrl.net
Education	NØADR	Bryan Leavitt, WØBCL	402/310-1686	w0bcl@arrl.net
Estate Assistance	KØFJW	Todd Mason, NØTFM	402/405-3603	tfmason@windstream.net
Field Day	KØRPT	Shaun Munson, KØSMM	402/853-6523	k0smm@arrl.net
Holiday Party	NØADR	Ed Holloway, KØRPT	402/326-1139	k0rpt@arrl.net
LOG Editor	WØBCL	Jean Leavitt, KØJSL	402/310-9964	log@k0kkv.org
Mentorship	KØSMM	Greg Brown, KTØK	402/937-3540	kt0k@arrl.net
Public Relations	KØRPT	Shaun Munson, KØSMM	402/853-6523	k0smm@arrl.net
Public Service	KCØHN	Aaron Rogge, NØADR	402/617-0234	n0adr@ajrogge.com
QSL Cards	W3ALX	Greg Brown, KTØK	402/937-3540	kt0k@arrl.net
Tower/Antenna Crew	KØRPT	Shaun Munson, KØSMM	402/853-6523	k0smm@arrl.net
Transmitter Hunts	KØSMM	Todd Mason, NØTFM	402/405-3603	tfmason@windstream.net
TVI/RF	KØRPT	Shaun Munson, KØSMM	402/853-6523	k0smm@arrl.net
Website	NØADR	Alex Lewis, W3ALX	402/202-8830	alex.w3alx@gmail.com

President's Message

Ed Holloway, KØRPT, LARC President



As we near the end of 2025, think back to the start and all the events of the year. LARC has added some and paused some. We have had some great times at each and every one though. Thanks to

Bryan, WØBCL, and NeARES for all the new lighting in the building. It is so much brighter, and the NeARES Education room, (Z), is like new. You can actually see yourself now. Thanks, Bryan and Shaun, KØSMM. Thanks to Tyler for all the mowing and keeping the yard looking so good. Thanks to all the folks who took on coordination duties of our Public and Community Service events. We're growing and expanding our fun. Game night returned last month and you should mark your calendars for Nov 15th and Dec 13th. Come have clubhouse fun with family and friends playing those favorite board and card games. Bring a dish to share as well.

The Annual LARC Holiday Party has been set in stone. It's at the Sandhill's Global Event Center in the Nebraska Room December 20th. Social Hour is at 17:30, a "Buffet Style" dinner will be served at 18:30, and the Annual LARC Awards will follow.

The menu is much the same as last year, but we took a vote during club meeting regarding potatoes - Mashed or "Mashed/Loaded" with no meat. Mashed/Loaded won and will be on the menu. We've added a vegetarian entree this year, a pasta and cheese dish that I'm sure you

will enjoy. There will also be a dish with fresh bacon for those that would like to add bacon to their green beans. Annual Awards will be given at the Holiday Party, so come out and enjoy a night out with friends! This is a benefit to your membership of LARC! See you there!

Elections for 2026 will be held at the December club meeting. Please come and vote for those taking the opportunity and making the commitment to help keep our club moving in a positive and growing direction. See you at the club meeting!

Ed, KØRPT

LARC Awards

Ed Holloway, KØRPT

Please send any proposed awards recipients to me at kørpt@arri.net. Give me a paragraph of why you believe this person should receive the award. Awards are given out at our annual holiday party.



Log Folding

Jean Leavitt, KØJSL

Thank you to the October LOG folding crew: Jon Peterson, Ayden Rogge, Liam Rogge, KØJSL, KRØKAT, KØKPH, KØKPH, KC9OTF, and KF9TV.

Join us for the next folding session!

Monday, December 1, 6:30 pm, at the LARC Clubhouse.

ARRL Contest Calendar

ARRL

November

- | | |
|-------|-------------------------|
| 1-3 | Nov Sweepstakes - CW |
| 8-9 | EME-50-1296 MHz |
| 15-17 | Nov Sweepstakes - Phone |

December

- | | |
|-------|-------------------|
| 5-7 | 160 Meters |
| 13-14 | 10 Meter |
| 21 | Rookie Roundup-CW |

For Sale

Paul Mundt, KF9TV

These items are available at a good price:

Working

- Hallicrafters S-38B BCB & SW Radio. Serviced. Works.
- Heathkit IM-58 Distortion Meter. Works.
- HP 120B Oscilloscope. Works.
- National NC-121 BCB & SW Radio. Serviced. Works.
- B&K 1465 Analog 1-Chan Scope. Semi-tested.

Untested or Known Not working

- Clegg 22er Ham Xcvr. No Tubes.
- Hallicrafters SX-111 Ham Receiver.
- Untested.

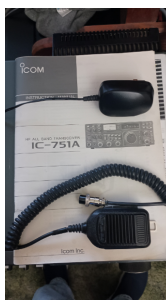
- Hallicrafters S-120 BCB & SW Radio. Not Working.
- Heathkit Seneca VHF-1 6/2Xmtr. Untested.
- Heathkit IM-13 bench VTVM. Untested.
- HP VTVM 400L. Untested.
- HP 608C VHF Signal Gen. Untested.
- Johnson Viking 1 Ham Transmitter. Not Working.

“Works” means that it is not dead and some functions have been tested. Text/Call/Email for details or pictures. Very negotiable. Offers ok. KF9TV, Paul, KF9TV1@gmail.com. Text: 331-401-4952.

For Sale

Roger Besch, WØWYH

I have an ICOM IC-751A for sale. It's in like-new condition. Please see the pictures below.



I am asking \$350.00 or offer. Contact me at rogbesch@gmail.com (preferred), or at 402-486-1977 (leave message please for a call back).

Thanks, Roger, WØWYH



Game Night

Kathleen Rogge, KRØKAT

Game Night, Oct 18, was a success! We had a fun night with a variety of yummy food... the only thing that would have made it better was to have YOU with us too!

Looking forward to seeing you (your favorite "other", favorite games and favorite snacks) at our next Game Nights! Nov 15 and Dec 13. From 6:30 pm to 9:00 p-ish.



Northeast NE Hamfest

Fred Wiebelhaus, KØFJW

See the following flyer:

2025
Northeast
Nebraska
Hamfest
Norfolk, NE

Sponsored by:
The Elkhorn Valley
Amateur Radio Club

November 15, 2025
8:30 AM—1:00 PM
Location:
CHC Hall, 105 E Elm
Norfolk, NE

Tables—\$10.00

Dealer—D&L Antenna

- Classes
- Testing
- Testing—8:30
- Door Prizes
- Flea Market
- Silent Auction
- Refreshments
- Free Coffee

Admission—\$5.00

Talk-in: 146.73(-), PL=131.8

Contact: Aaron Mathis
KTOQ.ne@gmail.com

Table Order Form:
https://www.qsl.net/evarc/Hamfest_Flier_table_2024.pdf



Amateur Radio Licensing Update During US Government Shutdown

ARRL

The following is from an article dated 10/1/2025 and updated 10/3/2025:

The government shutdown began at 12:01 Eastern time on Wednesday, October 1, when Congress had not passed an appropriations bill or other plan to fund government for the new fiscal year.

The FCC issued a Public Notice on Tuesday, September 30, indicating most operations would be suspended following a shutdown.. All Commission electric filing systems, except for a few emergency and auction filing systems, will be unavailable to the public until normal agency operations resume. This means the FCC will not be processing any amateur radio license applications during the shutdown. This includes individual, club, and exam session (new and upgrade) applications.

However, Maria Somma, AB1FM, (ARRL VEC), said ARRL Volunteer Examiners should continue giving exam sessions. She advised them to keep serving new and upgrade license applications and promptly forward exam session results to the ARRL VEC. Applications will be queued as they are received, and will be submitted to the FCC for processing once the federal government reopens. New registrations for an FRN are currently not being accepted.

VE Exam Session

Chris Evens, KCØPJR

October VE Session:

Our one session this month at the College View Church on October 2nd was a success, at least as far as the exam session was concerned. There were four candidates this month but unfortunately only three of them were successful at getting a new license. The bummer part had to deal with the government shutdown. No new licenses are being issued at this time as the ULS database is down awaiting the government to reopen. This means that even though our three successful exam takers passed their tests, they are still awaiting a license to be issued before they can get on the air. Hopefully the shutdown will end soon.

TECHNICIAN

- Seth Mackey (pending), College Springs, IA
- Noah Orman (pending), York
- Timothy Swinscoe Sr., (pending), Lincoln

Volunteer Examiners (VE's) who participated this month are: WØBCL, KJØHN , KFØNKS, NØPD, and KCØPJR.

Thank you to all for giving your time to promote and advance the great hobby of Amateur Radio.



Note Concerning VE Exams

Earlier in the log there was some information from the ARRL concerning Amateur Radio licensing during the government shutdown. I want to clarify a few things so everyone understands how to proceed in obtaining or upgrading an Amateur Radio license.

VE Exams

Exams will continue to be held on November 6th and December 4th, regardless of the status of the government shutdown. The exam location, times, and cost remain the same.

If You Do Not Have A Current Amateur License

An FRN is NOT required to take the test(s), but you must register for one once the FCC reopens. If you pass one or more exams, you will be issued a Certificate of Successful Completion of Examination (CSCE) and all documentation will be forwarded to the ARRL for future processing. You will need to contact the ARRL VEC office once you have your FRN and they will then forward your application to the FCC. **YOU MAY NOT TRANSMIT UNTIL YOU RECEIVE A CALL SIGN FROM THE FCC.**

If You Have a Current Amateur License

You will be issued ad CSCE for any exams you pass. The CSCE authorizes you to operate for up to one year at your new license level, effective immediately. You must include /AG (acting General) or /AE (acting Extra) after your call sign until the update appears in the FCC database. Outside the \$15.00 testing fee there is no charge for license updates from the FCC.

Elections Coming In December

From the Bylaws

Section 3: Board of Directors

3.01 An elected Director shall:

3.01.01 Have a vital interest in Amateur Radio and the Club.
3.01.02 Be a Full Club member for six (6) months immediately prior to nomination.

3.01.03 Be a licensed Amateur Radio Operator.

3.01.04 Not miss more than three consecutive Club or Board meetings without substantial cause.

3.01.05 Be willing to serve on one or more committees as necessary.

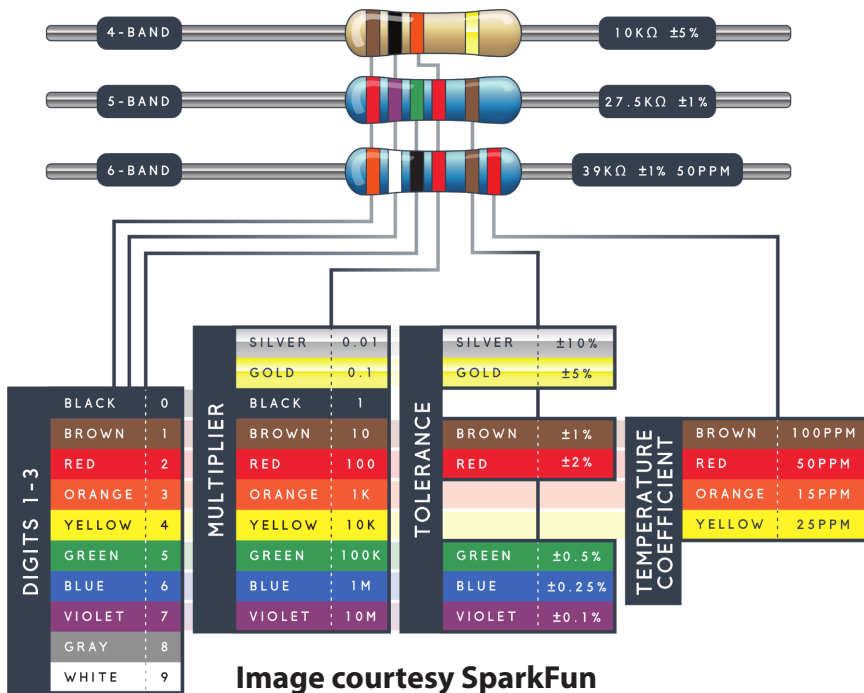
3.05.02 Nominations:

Nominations from the floor by Club Members shall be accepted only at the November Club meeting except in the event there are fewer than Five (5) nominees prior to an election. Then nominations from the floor presented by Club Members shall be accepted prior to the election.

3.05.03 All nominees must consent to serve prior to nomination.

3.05.04 Each nominee shall be eligible to submit a biography to be published in the December Club newsletter.

If you want to nominate someone to run for the board, and they meet the requirements as set forth in section 3.01 of the bylaws, the November club meeting is the time to do so.



Lincoln Amateur Radio Club Registration Form

Name: _____ Call Sign: _____

Address: _____

City: _____ State _____ ZIP+4: _____

Phone: _____ Email: _____

License Class: None Novice Tech General Advanced Extra

Memberships

LARC (\$15.00 Full, \$10.00 Associate*) Year: _____ \$ _____

LARC (\$10.00 First-time members-first year only) Year: _____ \$ _____

Lincoln Repeater Club (\$10.00/year) Year: _____ \$ _____

Donations

General Fund Equipment/Clubhouse Activities Other \$ _____

Enclose check payable to:

Total Due: \$ _____

Lincoln Amateur Radio Club Inc.
PO Box 5006, Lincoln, NE 68505-0006