

LARC Meeting

Wednesday, February 14 - 19:30

LARC Clubhouse | 4420 NW 41st St, Lincoln, NE

Club meetings are free and open to all. No need to have a ham license or club membership. We welcome anyone who has an interest in amateur radio.

SWL (Shortwave Radio)

Randy King, KØNC

SWLing: what's on the HF bands besides Ham Radio? A look at our radio spectrum, focusing on LF, HF, and maybe a little VHF or UHF. What's out there to listen to and why - types of radios and antennas - how to use, where and how to listen. We'll review MW, (BCB) LF Airport Beacons, a little utility DXing, Vol-Met, WeFax, and the good old Shortwave Stations, from classics like Radio Havana Cuba to WRMI in Okeechobee Florida with everything in between. Be sure to come to the Clubhouse and prepare to expand your horizons.

Event Calendar

February

- 1 Th.. 18:30VE Exams College View Church4801 Prescott Ave
- 5 Mo 18:30LOG Folding LARC Clubhouse4420 NW 41st St
- 14 .We 19:30.. LARC MeetingLARC Clubhouse 4420 NW 41st St**
- 15.. Th.. 19:30SATERN Meeting Salvation Army2625 Potter St
- 18.. Su.. 17:00LARC Board Mtg LARC Clubhouse4420 NW 41st St
- 27 .Tu .23:59.. LOG DeadlineEmail articles & ads to log@k0kkv.org**

March

- 4 Mo 18:30LOG Folding LARC Clubhouse4420 NW 41st St
- 7 Th.. 18:30VE Exams College View Church4801 Prescott Ave
- 13 .We 19:30.. LARC MeetingLARC Clubhouse 4420 NW 41st St**
- 14.. Th.. 19:30SATERN Meeting Salvation Army2625 Potter St
- 17.. Su.. 17:00LARC Board Mtg LARC Clubhouse4420 NW 41st St
- 26 .Tu .23:59.. LOG DeadlineEmail articles & ads to log@k0kkv.org**

Lincoln Amateur Radio Club, Inc
PO Box 5006 | Lincoln, NE 68505



Club Repeater KØKKV 146.760 (-)

Twitter twitter.com/k0kkv

LARC Web Site www.k0kkv.org

Facebook www.facebook.com/LARCLincoln

2024 Board of Directors

President	Aaron Rogge.....	NØADR	402/617-0234 ...	n0adr@ajrogge.com
Vice President	Ed Holloway	KØRPT	402/326-1139 ...	k0rpt@arri.net
Secretary	Kim Cartwright.....	KEØTNR	402/430-1506 ...	kcdragon3@gmail.com
Treasurer	Alex Lewis	W3ALX	402/202-8830 ...	alex.w3alx@gmail.com
Member	Shaun Munson.....	KØSMM	402/853-6523 ...	k0smm@arri.net
Member	Bryan Leavitt.....	WØBCL	402/310-1686 ...	w0bcl@arri.net
Member	Roark Pyle	WØLNE	402/318-1452 ...	w0lne@arri.net
Member	Kenneth Cohn	KCØHN	402/310-8526 ...	kc0hn.ne@gmail.com
Club Station Trustee.....	Greg Brown	KTØK.....	402/937-3540 ...	kt0k@arri.net

2024 Committees (Committees may be subject to change)

Committee	Liaison..	Chair	Phone	Email
Activities	KØSMM	Ken Cohn, KCØHN	402/310-8526 ...	kc0hn.ne@gmail.com
Awards	Ed Holloway, KØRPT	402/326-1139 ...	k0rpt@arri.net
Audit	W3ALX.....	Greg Brown, KTØK	402/937-3540 ...	kt0k@arri.net
Bylaws.....	NØADR.....	Alex Lewis, W3ALX.....	402/202-8830 ...	alex.w3alx@gmail.com
Club Inventory	KØSMM.....
Club Station	KØRPT.....	Greg Brown, KTØK	402/937-3540 ...	kt0k@arri.net
Education	NØADR.....	Bryan Leavitt, WØBCL	402/310-1686 ...	w0bcl@arri.net
Estate Assistance	KØRPT.....
Field Day	KØRPT.....	Shaun Munson, KØSMM.....	402/853-6523 ...	k0smm@arri.net
Holiday Party.....	NØADR.....	Ed Holloway, KØRPT.....	402/326-1139 ...	k0rpt@arri.net
LOG Editor.....	WØBCL	Jean Leavitt, KØJSL	402/310-9964 ...	log@k0kkv.org
Mentorship	Greg Brown, KTØK	402/937-3540 ...	kt0k@arri.net
Public Relations.....	KØRPT.....	Shaun Munson, KØSMM.....	402/853-6523 ...	k0smm@arri.net
Public Service.....	KCØHN	Aaron Rogge, NØADR.....	402/617-0234 ...	n0adr@ajrogge.com
QSL Cards	W3ALX.....	Greg Brown, KTØK	402/937-3540 ...	kt0k@arri.net
Tower/Antenna Crew....	KØRPT.....	Shaun Munson, KØSMM.....	402/853-6523 ...	k0smm@arri.net
Transmitter Hunts	KØSMM.....
TVI/RF.....	KØRPT.....	Shaun Munson, KØSMM.....	402/853-6523 ...	k0smm@arri.net
Website	W3ALX.....	Aaron Rogge, NØADR.....	402/617-0234 ...	n0adr@ajrogge.com



President's Message

**Aaron Rogge, NØADR,
LARC President**

Greetings to all my fellow Hams. Pat yourself on the back; you made it through January and the snow. According to the long-term forecasts I've

looked at, we should enjoy much more pleasant weather this month. That said, Nebraska weather does like to throw us some curve balls, so I wouldn't box up my winter gear quite yet.

A round of applause to all the Hams who braved the roads and joined us for a great presentation on DMR by George Blessing, KCØHYI, at the January club meeting. The presentation was engaging and had something for everyone, whether just learning about DMR or an experienced user.

While the snow is melting around us, it can be hard to believe, but storm spotter season will be here. So mark your calendars. Saturday, April 13, at the LARC Clubhouse, will be the annual storm spotter training. If you have never gone through the training, you will want to take "Role of the SKYWARN Spotter" and "SKYWARN Spotter Convective Basics" (see <https://neares.org/radio-emergency-services-education/> for links). Put Ed Holloway, KØRPT, as the instructor and save your certificate of completion. Also, sign up to be an ARES member at <https://neares.org/get-involved/ares-membership-application/>. Current ARES members can use the form to update their information if anything has changed.

When did you last check your license

information in the FCC database? I was recently chatting with a fellow Ham, and while we were talking, I looked up their license information only to find it had expired six months ago. Oops! Fortunately, he was still within the 2-year grace period, so a quick renew and he was set.

Checking is easy. Go to <https://wireless2.fcc.gov/UlsApp/UlsSearch/searchLicense.jsp> and enter your call sign. While you are checking, make sure that your address is correct. As Hams, we are required to keep our contact information current with the FCC. For information about the FCC licensing website and how to manage your FCC account, check out the ARRL pages at <https://www.arrl.org/cores-uls-registration>.

Till next time, 73, and I hope to see you at the next club meeting.

Aaron, NØADR

LOG Folding

Aaron Rogge, NØADR

Thank you to the January LOG folding crew: NØJLR, KØJSL, KRØKAT, KØKPH, Jon Peterson. Ayden Rogge, Liam Rogge, and Mitch Ryan.

Join us for the next folding session!

Date: March 4, 2024

Time: 6:30 pm

Location: LARC Clubhouse, 4420 NW 41st St

ARRL Contest Calendar

ARRL

February

12-16 School Club Roundup

17-18 International DX CW Contest

March

2-3 International DX Phone Contest

VE Report

Chris Evens, KCØPJR,
VE Coordinator

January VE Session:

January was a bit on the busy side at our only session at the College View Church the first Thursday of the month. We had eight candidates and all of which passed at least one exam. They are as follows:

TECHNICIAN

- Scott McCurg, KFØOUG, Lincoln
- James Overman, KFØOPI, Lincoln
- Braxton Smith, KFØOPG, Shelton
- Matt Virus, KFØOPH, Lincoln

GENERAL

- Phillip Jargis, KG5FPP, Seward
- Stan Marean, KEØOPJ, Fort Calhoun

EXTRA

- Brian Fitzgerald, KØFTZ, Lincoln
- Adrian Petescu, KFØOHS, Omaha

Congratulations to our new licensees!

Volunteer Examiners (VE's) who participated this month are:

WØBCL, NØDDE, KCØHN, KCØPJR, KDØRIY, AJØS, NEØTM, and K6INS.

Thank you to all for giving your time to promote and advance the great hobby of Amateur Radio.



Flea Market in the Drive

Ed Holloway, KØRPT

The first half of the 4th Annual LARC/NeARES Flea Market will be held on April 20th at 8310 Sandalwood Dr., Lincoln, NE.

This event has been growing and we certainly want to see you all again. Load-in time will start at 6:00 am and doors will open at 8:00 am. We'll be on the drive until all sales are complete or everyone goes home. I'll have coffee and doughnuts waiting. Bring your own table, chairs and cover.

I look forward to seeing everyone!

Radio Equipment For Sale

Contact Aaron Rogge, NØADR

Icom 756 Pro III HF/50MHz.....	\$975.00
Tokyo HY-Power HC-1.5 KAT	\$600.00
Tokyo HY-power HL-1.5 KFX	\$3200.00
Kenwood TH-F6A.....	\$250.00
Astron VS-20.....	\$120.00
MFJ-1117	\$50.00
MFJ-264	\$85.00
MFJ-259B	\$125.00
Vanco SWR-1	\$20.00
Yaesu FT-7900 R/E	\$150.00
Kenwood TM-221A	\$50.00

Reasonable offers will be considered.



2024 LARC Budget

Expenses

Administrative

Bank.....	\$45.00
Insurance.....	\$400.00
Post Office.....	\$300.00
Office Supplies.....	\$55.00
PayPal Fees.....	\$85.00
Other.....	\$200.00
Sub Total.....	\$1,085.00

Club Station.....	\$500.00
Sub Total.....	\$500.00

Awards.....	\$200.00
Sub Total.....	\$200.00

Activities

Hamfest.....	\$4,800.00
Field Day.....	\$250.00
Holiday Party.....	\$500.00
Flea Market.....	\$50.00
Activities.....	\$200.00
Sub Total.....	\$5,800.00

LOG

Postage.....	\$2,000.00
Printing.....	\$1,600.00
Envelopes.....	8800.00
Sub Total.....	\$4,400.00

Total Expenses..... \$11,985.00

Income

Dues

Full.....	\$3,600.00
Associate.....	\$150.00
New.....	\$250.00
Sub Total.....	\$4,000.00

Donations

Pink Gorilla.....	\$500.00
General Fund.....	\$900.00
Other.....	\$1,500.00
Sub Total.....	\$2,900.00

Raffle Tickets.....	\$200.00
Sub Total.....	\$200.00

Best Choice Labels.....	\$60.00
Sub Total.....	\$60.00

Hamfest.....	\$7,000.00
Sub Total.....	\$7,000.00

Miscellaneous.....	\$0.00
Sub Total.....	\$0.00

Total Income..... \$14,160.00

Summary

Total Income.....	\$14,160.00
Total Expense.....	\$11,985.00
NET.....	\$2,175.00

Technician and General Classes

Bryan Leavitt, WØBCL - Education Coordinator

The Technician license class is currently being taught on Monday nights from 18:30 to 21:30. The General class will follow, starting sometime in March. Classes are free and open to the public. Both classes are held in the International Rescue and Relief (IRR) building on the Union College campus. The following manuals are recommended:

- Technician - <https://home.arrl.org/action/Store/Product-Details/productId/2003373064>
- General - <https://home.arrl.org/action/Store/Product-Details/productId/2009476073>

Contact Bryan Leavitt (WØBCL) for more information: w0bcl@arrl.net; 402-310-1686

	1				2	3		4			5			
	6		7			8								9
											10		11	
12				13		14								
				15							16			17
		18							19					
		20	21				22							
						23						24	25	
					26		27			28				
				29						30		31		
		32				33		34						
				35								36		37
38						39								
								40		41			42	
43										44				

Across

- .2. Amp class that conducts between 180-360 volts
4. Provides contingency communications support on behalf of U.S. Government users
6. Calling
8. Rate of CW copy
10. Maintains the standard for frequency and time interval for the United States
12. Conditions
14. The US government body that regulates the use of the radio spectrum. Also known as Uncle Charlie
15. Confirm
16. This station can automatically transmit information to show a mobile station's position
18. Measurement of the external width of a cable
20. Radio communication system where components are implemented by using a personal computer
22. Short surge of electromagnetic energy
23. Varies the signal strength of the wave in proportion to that of the message signal.
24. Station that broadcasts time signals
27. Real-time television
29. The desired operating frequency of a tuned circuit
30. A communications interface between two systems that is based on a set of text commands
32. Morse code call for emergency assistance
34. An oscillator whose frequency can be tuned over some range
35. Interference with television operation
36. Issued for working and confirming all six continents
38. Insulated material with copper traces on it
39. A three-terminal resistor with a sliding or rotating contact that forms an adjustable voltage divider
40. Knocks down large signals to prevent receiver overload
43. Band on the lower side of the carrier
44. An electrical device that transfers signal from one unbalanced line to another

Down

1. Electrical current that flows in one direction only
3. Generally referred to the volume of information per unit of time that a transmission medium can handle
4. Popular package-style of microwave transistors
5. Station
7. Ground
9. Portable energy source
11. A diode with a controllable current flow
12. A logic family that consumes the least amount of power
13. Transceiver
14. Frequency modulation
17. Still picture ham transmissions
18. Spread spectrum
19. Operator
21. Contacting foreign countries
22. Voltage
25. In the US, contacts with stations in each of the fifty US states
26. 30-300 kHz
28. Electronic oscillator whose oscillation frequency is controlled by a voltage input
29. A system of numbers used for signal reports
31. A fixed audio tone modulating a carrier
32. A special form of amplitude modulation that consumes a little less than half the bandwidth of a full "double band"
33. Package style in which pins are laid out in rows
34. A year-long operating event honoring all ARRL volunteers
37. Closing station down

Crossword puzzle courtesy of Lilian Mundt.
LMundt@email.phoenix.edu

SKYWARN Training

Ed Holloway, KØRPT

Lancaster County ARES EC

The annual SKYWARN training and certification will be held on Saturday, April 13, 2024, at the LARC Clubhouse, at 4420 NW 41 Street.

Schedule

- 08:00 - Doors open for ARES updates & photos
- 11:00 - NWS Program
- 12:30 - Credential Exam
- 13:00 - KØRPT LARC Program
- 14:00 - End

The online courses "Role of the SKYWARN Spotter" and "Spotter Convective Basics" are required for all new spotters. Be sure to add Ed Holloway, KØRPT, as your instructor to have your completion certificates emailed to me.

Retaking the courses each year is not required if I have your certificates; however, I highly recommend retaking them as a refresher. The course links can be found in the right-hand column on the NeARES.net website.

We continue to issue Lancaster County Emergency Management ID Cards and will take photos on training day. Please bring your driver's license as you complete your registration. Your data will be stored securely.

The 2024 storm spotter packets are being updated and will be emailed to all credentialed spotters in Lancaster County who have completed the ARES registration and ID card processes.

Saunders County ARES Net

Shaun Munson, KØSMM

Lancaster County Assistant EC

Announcing the Restart of the Saunders County ARES Net on the KØASH repeater: 145.310-offset
The Net Control Is Brian Fitzgerald KØFTZ .

Please Join us Wednesday's at 20:00.

Nets

Paul Mundt, KF9TV

The Lincoln Amateur Radio Club offers daily nets that welcome all hams. The nightly ARES Net is daily at 21:00 local time.

There is also a Lunch Brunch Net on Monday, Wednesday, and Friday at 12:00. This is an informative and fun net, once again open to all. These nets are on 146.76 and 442.7 MHz.

Join us if you can!

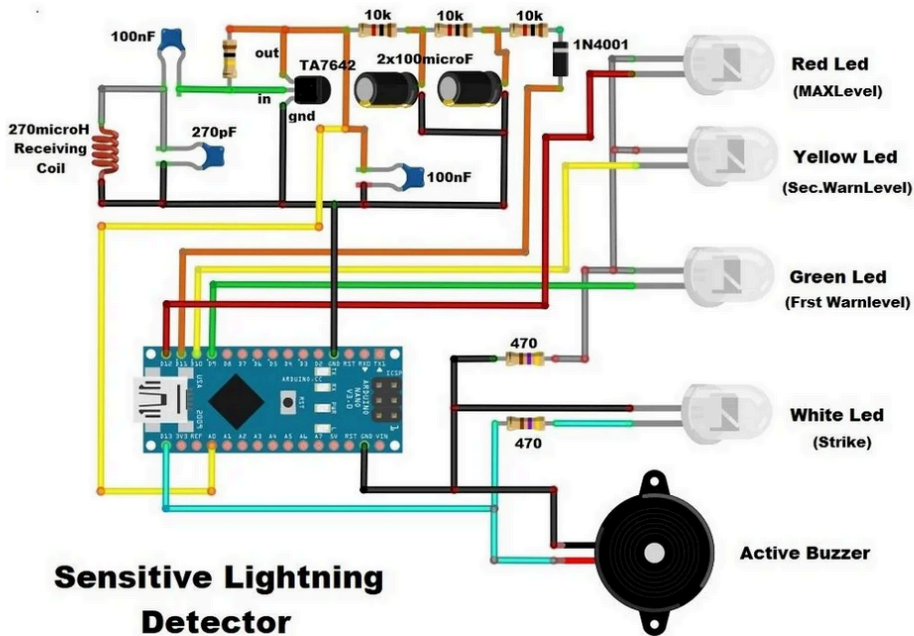


Lightning Detector Project

Bryan Leavitt, WØBCL

Interested in building your own lightning detector? This system uses the TA7642 AM radio receiver to detect lightning strikes. It is stated to be very sensitive to lightning and very insensitive to other forms of electromagnetic static. This is a great project for a "Ham" to work on at very low cost. This will give you a chance to improve your soldering skills as well as working with an Arduino Nano compatible processor.

If you are interested in building it, let me know. I am currently assembling the parts to build one and would be willing to get you the parts for cost (actually I'll probably lose a little on the deal). Cost for all the parts is going to be somewhere around \$10.00 to \$12.00. The kit will include all the components in the schematic, (Arduino Nano compatible processor), plus a breadboard for soldering everything together. You supply the wire, the solder, an enclosure, and the time to assemble it. For more information as well as the source code for the project check out the web site: <https://www.instructables.com/Sensitive-Arduino-Lightning-Detector-With-Homemade/>. I can have the parts available at the club meeting on February 14th. w0bcl@arrl.net



If a certain number of electrical discharges occur per unit time, the green LED starts flashing and this is the first level of warning. This means that the storm is close to our region. If the discharges continue, the yellow LED starts flashing, which indicates the second level of warning, and the storm is gradually approaching. Finally, if the red LED flashes, a third level warning is activated,

Estate and Equipment Sales

Gordon Trout, WØKBS

KØCWW

Category	Item	Brand	Model	Description	Asking
Accessories	302	Heathkit	HD-1422-A	Antenna Noise Bridge	\$25.00
HTs	319	Kenwood	TR-2500	2 meter handheld AS-IS	\$20.00

KAØJGH

Category	Item	Brand	Model	Description	Asking
Accessories	205	EF Johnson		Speaker	\$10.00
Accessories	211	Kenwood	MB-100	Mtg Brkt for TS-120 and TS-130	\$10.00
Amplifiers	217	TE Systems	0510G	50 MHz 175 watts mobile amp	\$250.00

LARC

Category	Item	Brand	Model	Description	Asking
Tuners	3	MFJ	MFJ-969	Deluxe Versa Tuner	\$175.00
Accessories	7	LDG	TW-1	Talking Wattmeter	\$75.00
Power Supplies	8	MFJ	MFJ-4245MV	45 Watt Switching Power Supply	\$200.00
Accessories	10	MFJ	MFJ-864	HF/144/440 SWR Meter	\$80.00
Tuners	11	MFJ	MFJ-945E	Mobile Tuner	\$125.00
Accessories	12	MFJ	MFJ-921	144/220 200 Watt SWR Meter	\$90.00
CBs	13	Radio Shack	21-1702	CB Radio	\$20.00
CBs	14	Radio Shack	21-1702	CB Radio - bad pwr plug	\$15.00
Misc	17	Kenwood	LF-30A	Low Pass Filter	\$20.00
Antennas	20	RadioWavz		20 Meter Dipole	\$45.00
Antennas	21	RadioWavz		40 Meter Dipole	\$50.00
Tuners	23	MFJ	MFJ-939	Automatic intelituner	\$175.00
Misc	24	MFJ	MFJ-5124K	Autotuner MFJ-993 to Kenwood	\$55.00
Antennas	26			Mobile Antenna CB	\$10.00
Antennas	27			Mobile Antenna CB	\$10.00
Antennas	28			Mobile Antenna CB	\$10.00
Accessories	31	MFJ	MFJ-868	HF / 6meter SWR/Wattmeter	\$100.00
Accessories	105	Kenwood	LF-30A	Low-pass filter	\$25.00
Power Supplies	155	Power-One	HD15-6-A	15v-6amp power supply	\$25.00

Prices are negotiable. Make an offer. All items are used and sold AS-IS.

Contact: Gordon Trout, WØKBS, (402) 580-5326 after 12 noon or w0kbs@arri.net

Estate and Equipment Sales

Gordon Trout, WØKBS

WØDDM

Category	Item	Brand	Model	Description	Asking
Accessories	405	Daiwa	CN-1Ø3	14Ø-525 MHz SWR & Power Meter	\$75.00
Accessories	41Ø	Kenwood	VFO-82Ø		\$150.00
Accessories	411	Kenwood	VOX-3	VOX Controller	\$50.00
Accessories	412	MFJ	LSP-52ØBX I..I	Super Logarithmic Speech Processor	\$25.00
Accessories	414	MFJ	MFJ-986	Differential-T Tuner	\$200.00
Accessories	416	Mirage	MP2	SWR Meter	\$80.00
Accessories	417	Optolinx	CX12	PC to Radio Interface	\$25.00
Amplifiers	424	Mirage	D1Ø1Ø	43Ø to 45Ø Amplifier 1Øw-1ØØw	\$200.00
Amplifiers	426	RFConcepts	RFC-2-23	2 meter amplifier 2w in 3Øw out	\$80.00
CBs	429	Radio Shack	TRC-52Ø	wx/compass CB	\$25.00
Headphones	43Ø	Sensiphone	Superex	Headphones	\$5.00
Power Supplies	444	Magnetic	PS 1ØØ1MR	Magnetic Regulated Power Supply	\$10.00
Scanners	446	Realistic	OptoScan456	2Ø-144 ..Scanner	\$50.00
Test Gear	452	HP.. HP	122ØA	Oscilloscope	\$100.00
Amplifiers	462	Mirage	D 1Ø1Ø N	43Ø-45ØMhz Amplifier 1Øin-1ØØout	\$200.00
Tuners	463	Icom	AT-18Ø	HF/5ØMhz ATU	\$300.00
Microphones	465	Astatic	D-1Ø4	Microphone with T-UG8 stand	\$50.00
Tuners	468	Icom	AH-4	ATU HF & 6 meter	\$300.00
Tuners	47Ø	Icom	AT-18Ø	HF/5ØMhz ATU	\$300.00
Tuners	471	Icom	AT-18Ø	HF/5ØMhz ATU	\$300.00
Power Supplies	473	Astron	RS-35M	35 amp Power Supply	\$200.00

WØEGK

Category	Item	Brand	Model	Description	Asking
Accessories	6	TRAC	TE-284	Memory keyer	\$30.00
Accessories	8	TRAC		Memory keyer	30.00
Accessories	9	Viking		Phone patch	\$15.00
HTs	15	Icom	IC-4AT	44Ø MHz Handheld - no battery	\$40.00
HTs	16	Realistic	HTX-2Ø2	2 meter handheld - no battery	\$50.00
Keyers	21	Whiterook	MK-44	Mini Paddle	\$10.00
Speakers	32	HalliCrafters	R47	Metal speaker	\$50.00
Speakers	33			Speaker	\$5.00
Speakers	34			Speaker	\$5.00
VHF	37	Kenwood	TR-22ØØA	Portable 2 meter	\$20.00

The Lincoln Amateur Radio Club, Inc. (LARC), is a nonprofit organization devoted to the promotion of Amateur Radio. The club sponsors activities and programs to promote growth in Amateur Radio, further the experience of those already licensed, and create international goodwill.

The Lincoln LOG is mailed monthly to all paid members of LARC and Lancaster County, Nebraska Hams.

The LOG and other LARC information are available at k0kkv.org and facebook.com/LARClincoln and may be used freely. Permission is granted to other publications to reprint articles, provided that source credit, author, and previous print source appear in the reprint.

Lincoln Amateur Radio Club, Inc. P. O. Box 5006 Lincoln, NE 68505

Those interested in paying their ARRL dues through LARC are encouraged to email treasurer@k0kkv.org for details.

=====

Lincoln Amateur Radio Club Registration Form

Name: _____ **Call Sign:** _____

Address: _____

City: _____ **State:** _____ **ZIP+4:** _____

Phone: _____ **Email:** _____

License Class: None Novice Tech General Advanced Extra

Memberships

LARC (\$15.00 Full, \$10.00 Associate*) Year: _____ \$ _____

LARC (\$10.00 First-time members-first year only) Year: _____ \$ _____

Lincoln Repeater Club (\$10.00/year) Year: _____ \$ _____

Donations

General Fund Equipment/Clubhouse Activities Other \$ _____

Enclose check payable to:

Lincoln Amateur Radio Club Inc.
PO Box 5006, Lincoln, NE 68505-0006

Total Due: \$ _____

* Associate members must be family members residing at the same address as the full member 2024 V1